

**COASTAL
PERFORMANCE**
by Sunrise Windows, LTD.

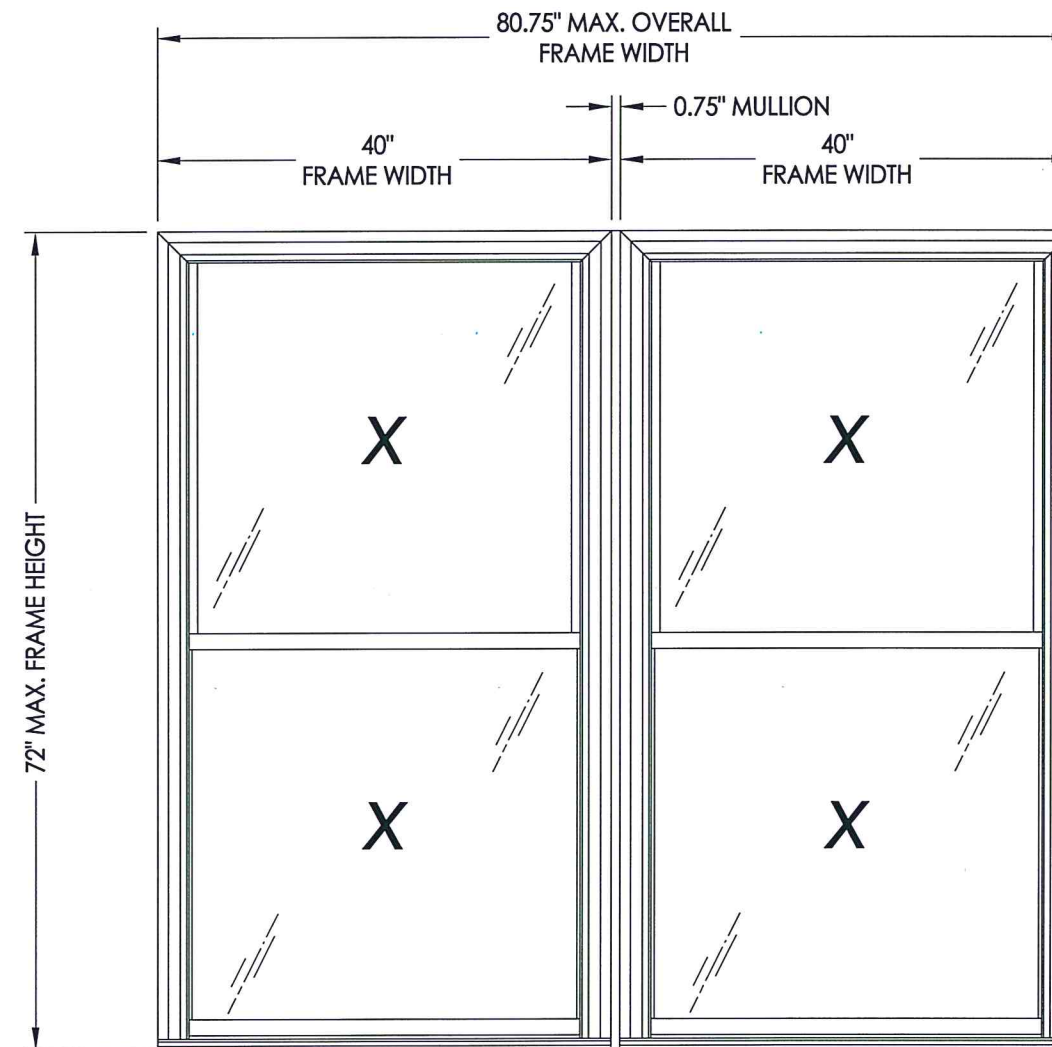
Series 7290 Coastal Performance Twin Mullered Double Hung Window "IMPACT"

GENERAL NOTES

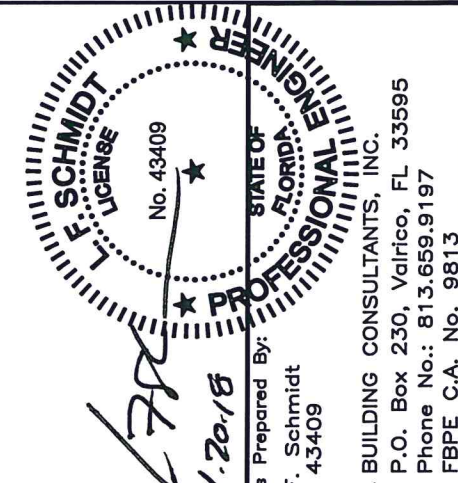
1. This product has been evaluated and is in compliance with the 6th Edition (2017) Florida Building Code (FBC) structural requirements excluding the "High Velocity Hurricane Zone" (HVHZ).
2. Product anchors shall be as listed and spaced as shown on details. Anchor embedment to base material shall be beyond wall dressing or stucco.
3. When used in areas requiring wind borne debris protection this product complies with FBC Sections 1609.1.2 & R301.2.1.2 and does not require an impact resistant covering. This product meets missile level "D" and includes Wind Zone 3 as defined in ASTM E1996 and FBC Sections 1609.1.2.2 & R301.2.1.2.1.
4. For 2x stud framing construction, anchoring of these units shall be the same as that shown for 2x buck masonry construction.
5. Site conditions that deviate from the details of this drawing require further engineering analysis by a licensed engineer or registered architect.

TABLE OF CONTENTS

SHEET #	DESCRIPTION
1	Typical elevations, design pressures & general notes
2	Vertical cross sections
3	Horizontal cross sections
4	Buck & frame anchoring
5	Mullion details & cross sections
6	Components
7	Bill of materials & glazing details



MAX. OVERALL FRAME DIMENSION	MAX DAY LITE DIMENSION	GLASS TYPE	DESIGN PRESSURE (PSF)	
			POS.	NEG.
80.75" X 72.0"	34.0" x 32.38"	G1	+50.0	-50.0



Documents Prepared By:
Lyndon F. Schmidt
P.E. No. 43409

RW BUILDING CONSULTANTS, INC.
P.O. Box 230, Valrico, FL 33595
Phone No.: 813.659.9197
FBPE C.A. No. 9813

PRODUCT: SUNRISE WINDOWS

PART OR ASSEMBLY: TYPICAL ELEVATION, DESIGN PRESSURES & GENERAL NOTES

NO.	DATE	BY	REVISIONS

DATE: 4/17/18

SCALE: N.T.S.

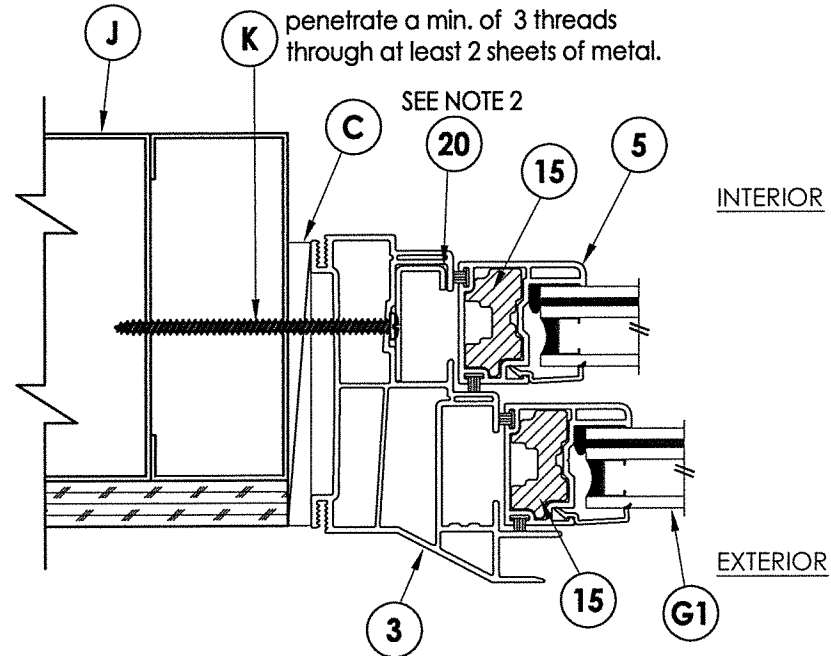
DWG. BY: JK

CHK. BY: LFS

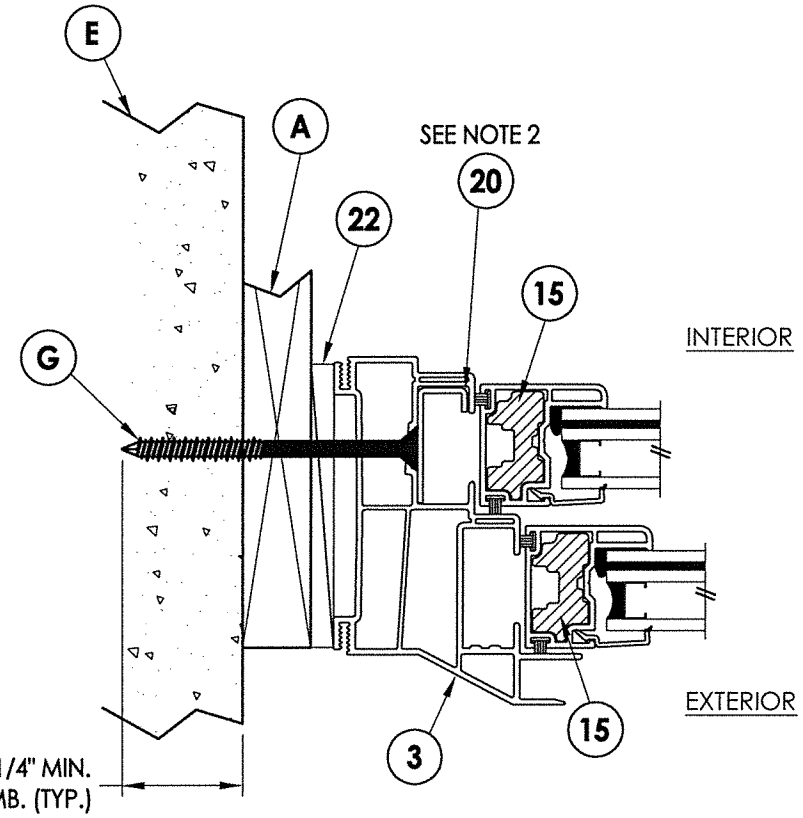
DRAWING NO.: FL-26910.4

SHEET 1 OF 7

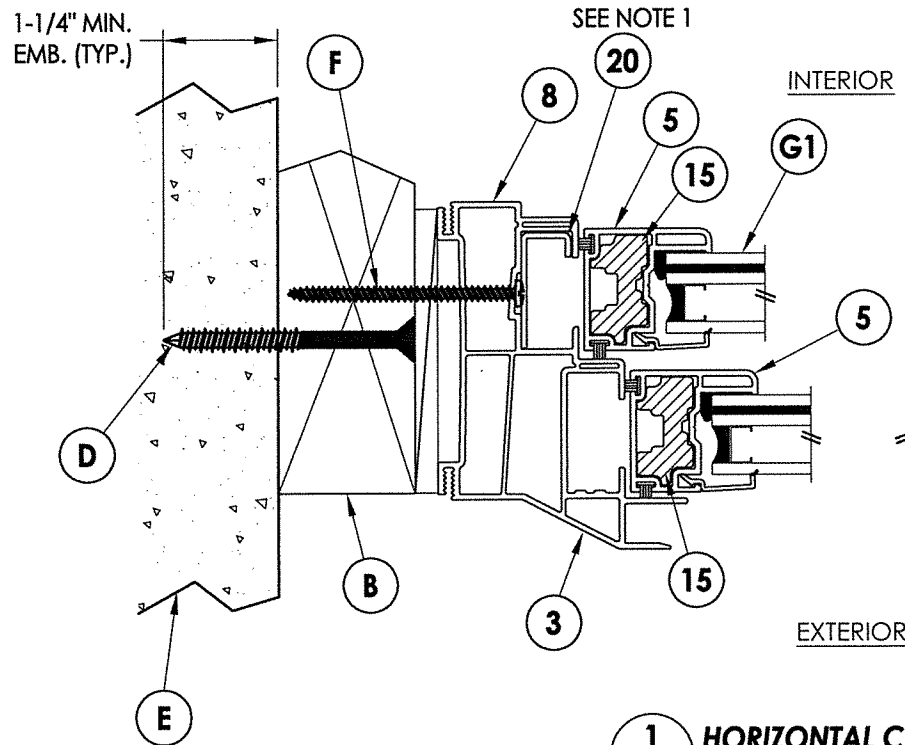
NOTE: Sheet Metal Screws must penetrate a min. of 3 threads through at least 2 sheets of metal.



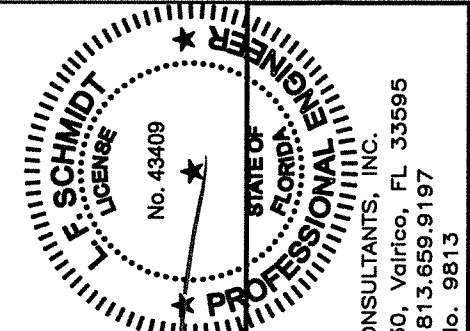
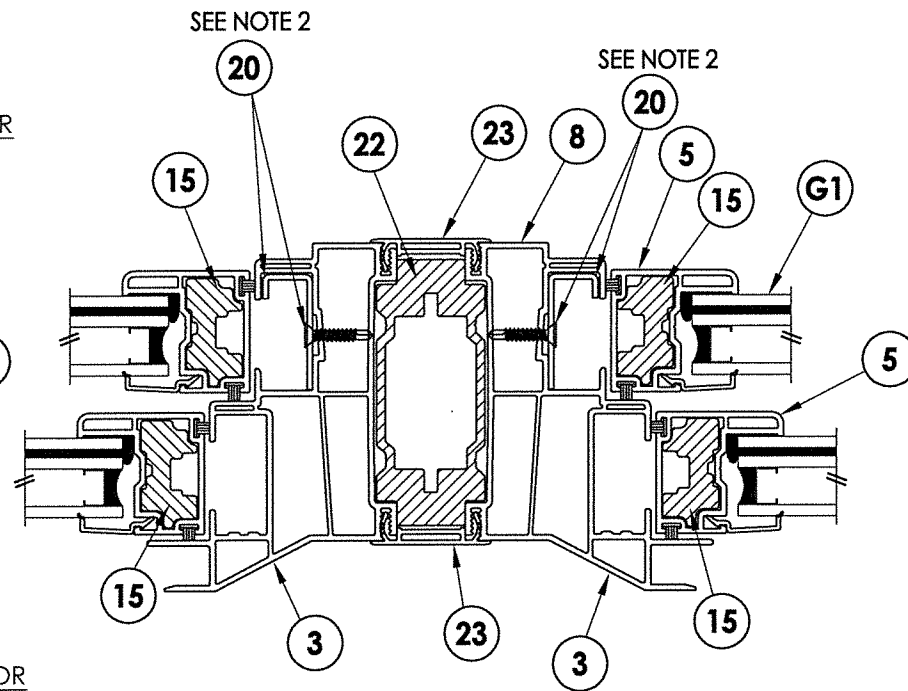
2 HORIZONTAL CROSS SECTION
3 Metal Stud Construction



3 HORIZONTAL CROSS SECTION
3 1X Buck Masonry Construction



1 HORIZONTAL CROSS SECTION
3 2X Buck Masonry Construction



Documents Prepared By:
Lyndon F. Schmidt
P.E. No. 43409

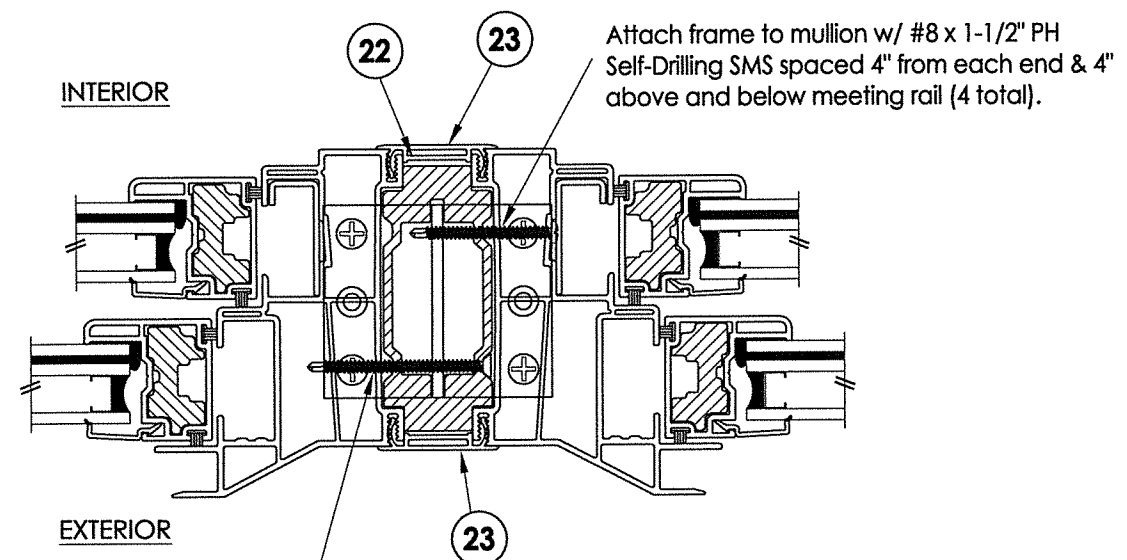
RW BUILDING CONSULTANTS, INC.
P.O. Box 230, Valrico, FL 33595
Phone No.: 813.659.9197
FBPE C.A. No. 9813

PRODUCT:	SUNRISE WINDOWS
PART OR ASSEMBLY:	HORIZONTAL CROSS SECTIONS

NO.	DATE	BY

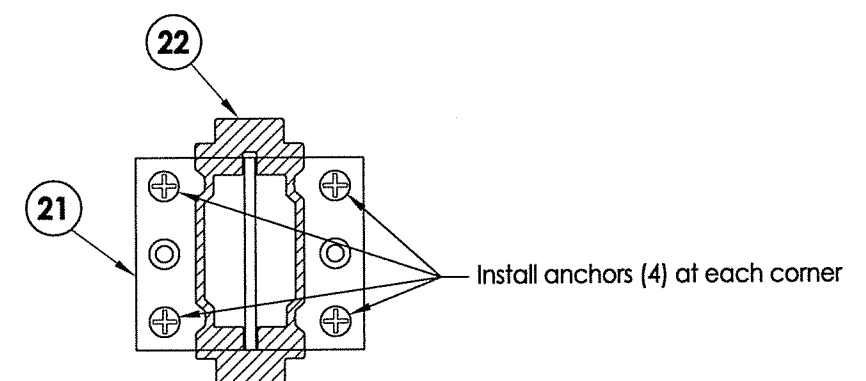
DATE:	4/17/18
SCALE:	N.T.S.
DWG. BY:	JK
CHK. BY:	LFS
DRAWING NO.:	FL-26910.4
SHEET	3 OF 7

R:\Clients\Sunrise Windows\A - Florida Product Approvals\FL-26910 - 7290 Double Hung Coastal Window\C - Drawings\FL 26910 (2017)\FL-26910.1-4.dwg, 4.5

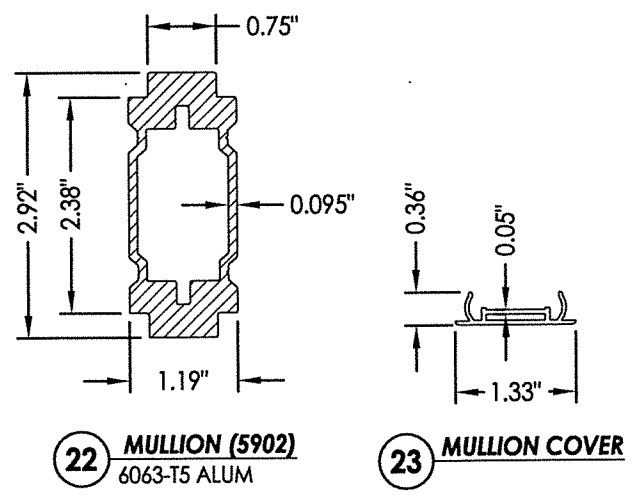


Attach mullion to frame w/ #8 x 2" FH Self-Drilling SMS spaced 6" from each end & 6" above and below meeting rail (4 total).

1 HORIZONTAL CROSS SECTION
5 @ MULLION ANCHOR BRACKET

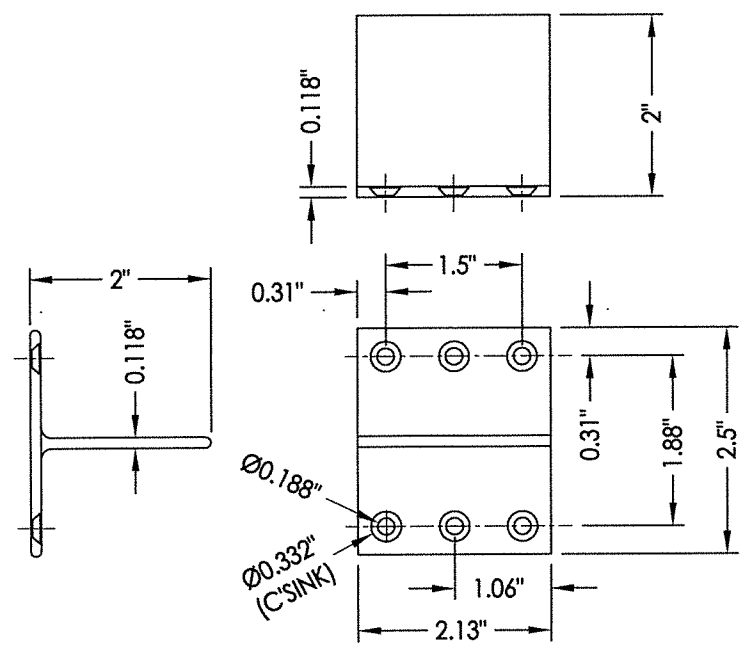


BRACKET TO MULLION DETAIL

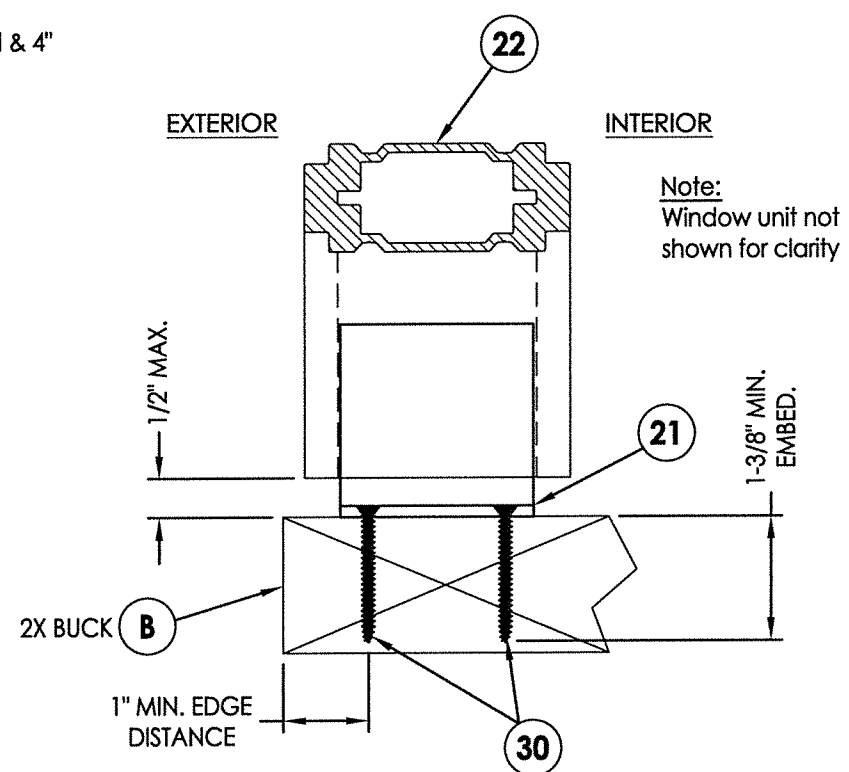


22 MULLION (5902)
6063-T5 ALUM

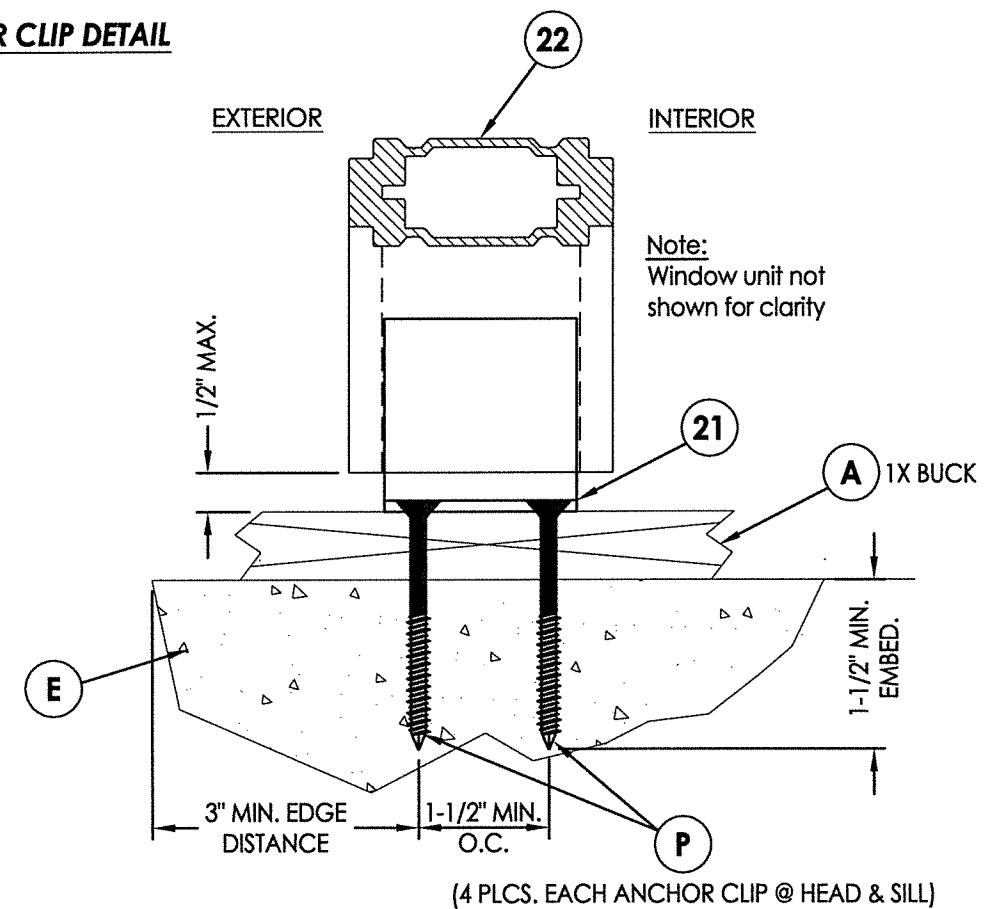
23 MULLION COVER



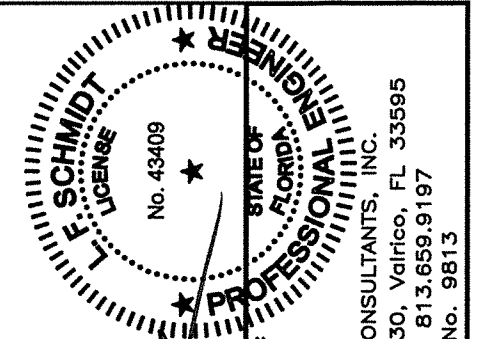
21 MULLION ANCHOR BRACKET (5950)
6063-T5 ALUM



(4 PLCS. EACH ANCHOR CLIP @ HEAD & SILL)
MULLION ANCHOR CLIP DETAIL



MULLION ANCHOR CLIP DETAIL



Documents Prepared By:
Lyndon F. Schmidt
P.E. No. 43409

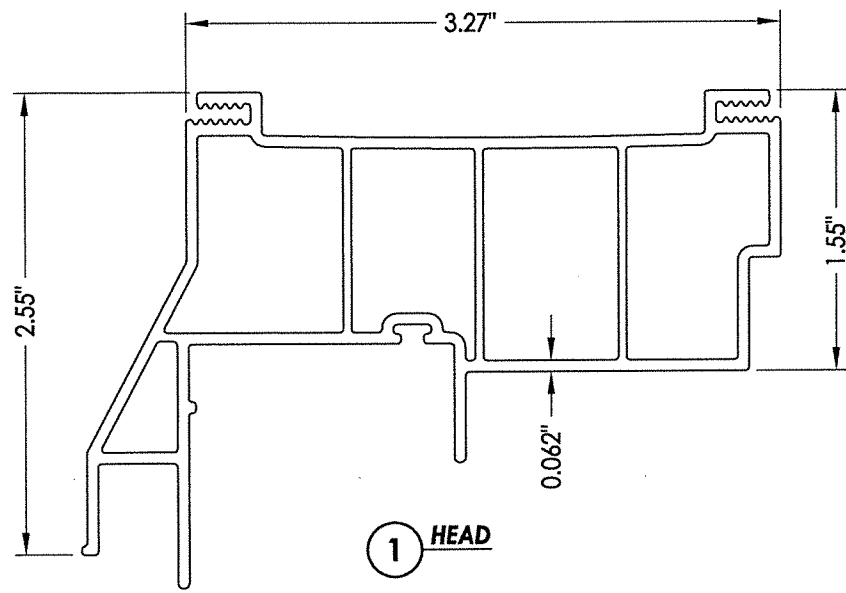
R.W. BUILDING CONSULTANTS, INC.
P.O. Box 230, Valrico, FL 33595
Phone No.: 813.659.9197
FBPE C.A. No. 9813

PRODUCT:	SUNRISE WINDOWS
PART OR ASSEMBLY:	MULLION DETAILS & CROSS SECTIONS

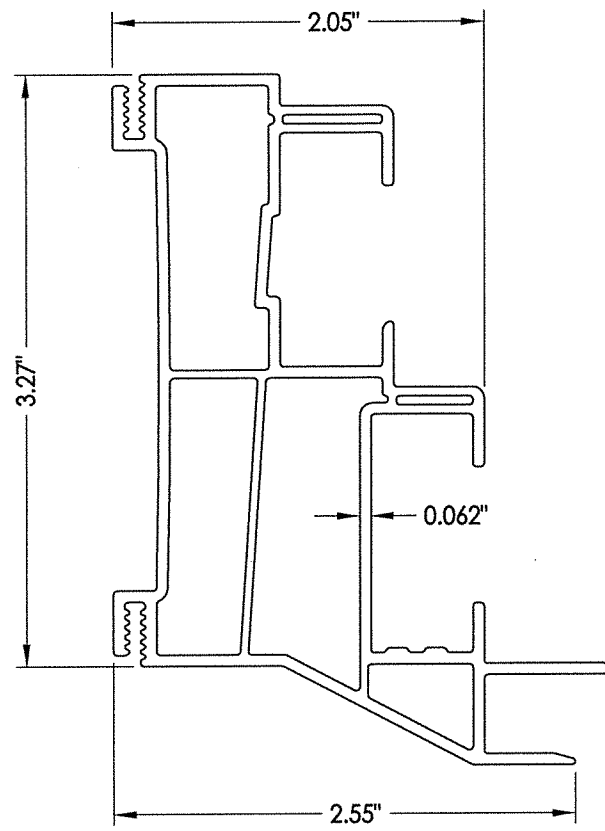
NO.	DATE	BY	REVISIONS

DATE:	4/17/18
SCALE:	N.T.S.
DWG. BY:	JK
CHK. BY:	LFS
DRAWING NO.:	FL-26910.4
SHEET	5 OF 7

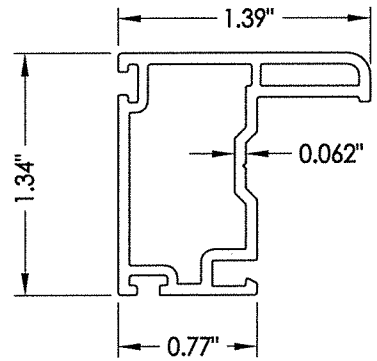
© 2018 R.W. BUILDING CONSULTANTS INC.



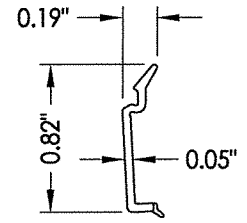
1 HEAD



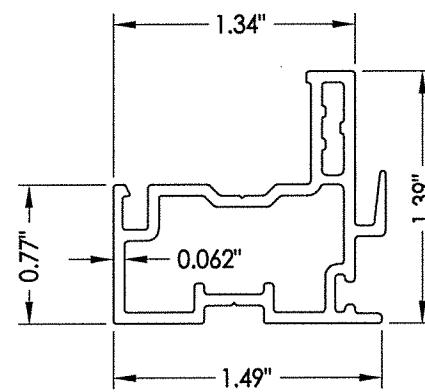
3 JAMB



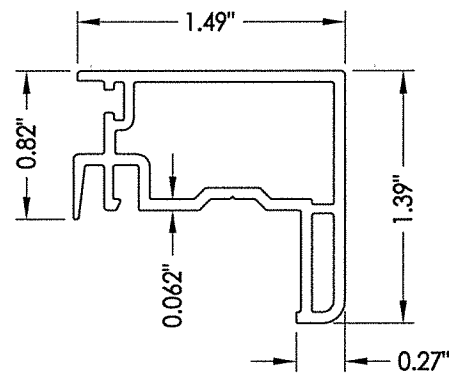
5 STILE



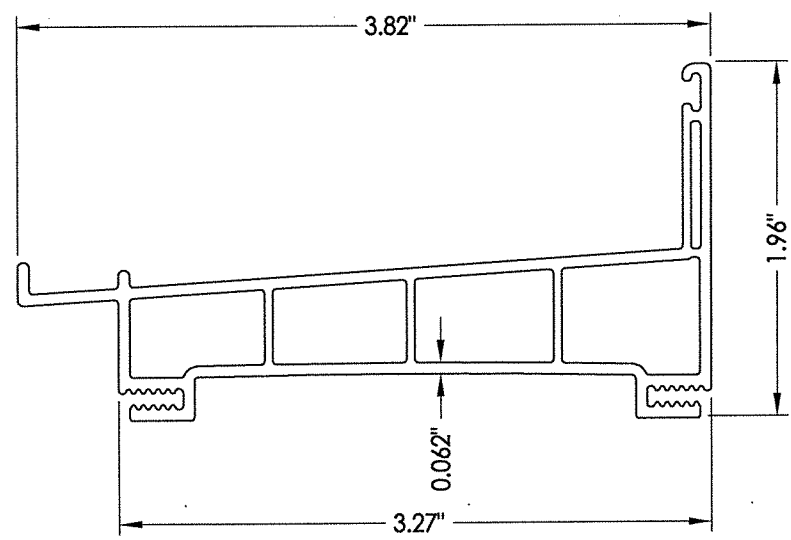
2 GLAZING BEAD



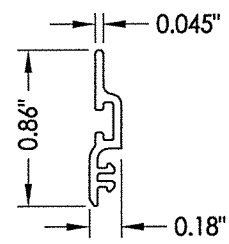
6 KEEPER RAIL



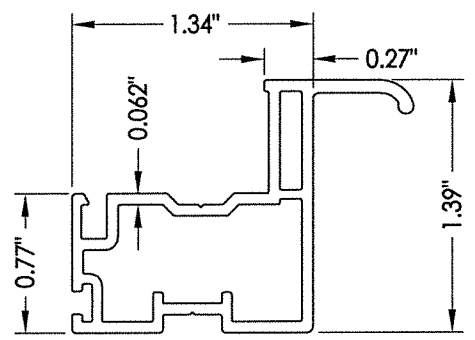
7 LOCK RAIL



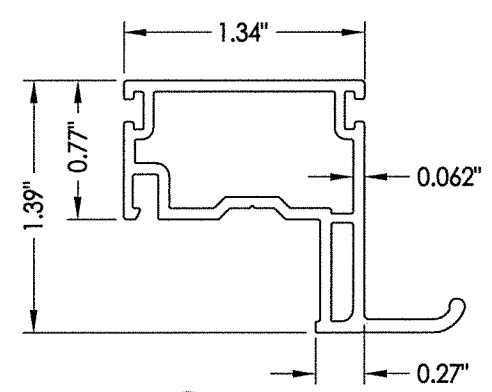
4 SILL



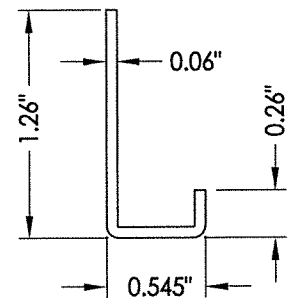
19 SILL RISER



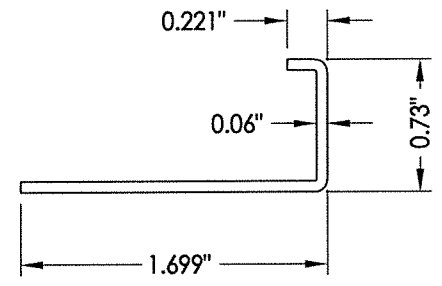
8 BOTTOM LIFT RAIL



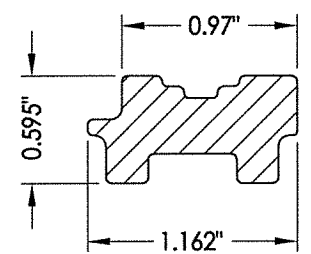
8 PULL RAIL



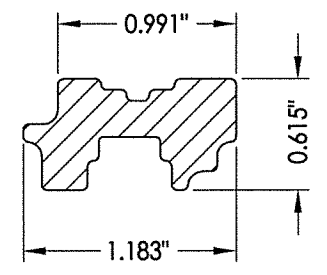
20 JAMB REINFORCEMENT
1" WIDE



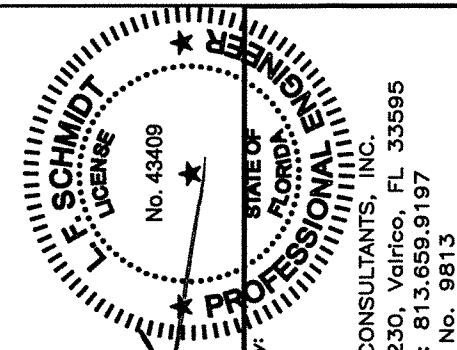
25 J-CHANNEL REINFORCEMENT
24" WIDE



14 LOCK RAIL REINFORCEMENT



15 STILE/RAIL REINFORCEMENT



Documents Prepared By:
Lyndon F. Schmidt
P.E. No. 43409

R.W. BUILDING CONSULTANTS, INC.
P.O. Box 230, Valrico, FL 33595
Phone No.: 813.659.9197
FBPE C.A. No. 9813

PRODUCT:	SUNRISE WINDOWS
PART OR ASSEMBLY:	COMPONENTS

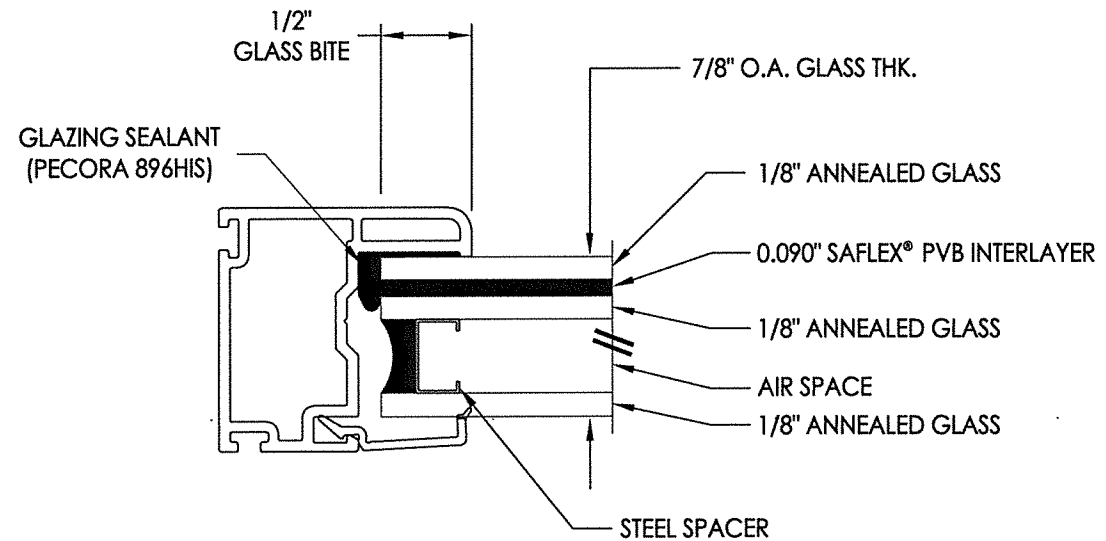
NO.	DATE	BY	REVISIONS

DATE: 4/17/18
SCALE: N.T.S.
DWG. BY: JK
CHK. BY: LFS
DRAWING NO.: FL-26910.4
SHEET 6 OF 7

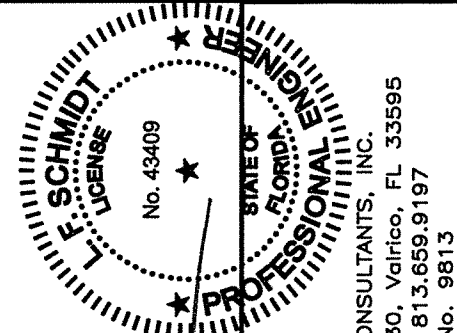
BILL OF MATERIALS

ITEM #	DESCRIPTION	MATERIAL
A	1X BUCK (SG >= 0.42)	WOOD
B	2X BUCK (SG >= 0.42)	WOOD
C	1/8" MAX. SHIM SPACE	-
D	1/4" X 2-3/4" PFH ELCO OR ITW CONCRETE SCREW	STEEL
E	MASONRY - 3,000 PSI MIN. CONCRETE CONFORMING TO ACI 301 OR HOLLOW BLOCK CONFORMING TO ASTM C90	CONCRETE
F	#8 X 2-1/2" PPH SMS (1-3/16" MIN. EMBEDMENT)	STEEL
G	1/4" X 3-1/4" PFH ELCO OR ITW CONCRETE SCREW	STEEL
H	1/4" X 3-3/4" PFH ELCO OR ITW CONCRETE SCREW	STEEL
J	STEEL STUD Min. Thk .033" (ASTM A653 GRADE 33 Fy=33 ksi min., Fu=45 ksi min.)	STEEL
K	#10 PPH SELF-DRILLING SMS	STEEL
L	#8 X 3" PPH SMS (1-3/16" MIN. EMBEDMENT)	STEEL
P	3/16" X 2-3/4" PFH ITW CONCRETE SCREW	STEEL
1	HEAD (701A)*	RIGID PVC
2	GLAZING BEAD (716A)*	RIGID PVC
3	JAMB (703)*	RIGID PVC
4	SILL (702)*	RIGID PVC
5	STILE (708)*	RIGID PVC
6	KEEPER RAIL (707)*	RIGID PVC
7	LOCK RAIL (706)*	RIGID PVC
8	BOTTOM LIFT RAIL (705)*	RIGID PVC
9	PULL RAIL (715)*	RIGID PVC
11	SASH LOCK	-
12	KEEPER	-
14	LOCK RAIL REINFORCEMENT (948)	COMPOSITE
15	STILE/RAIL REINFORCEMENT (952)	COMPOSITE
19	SILL RISER (719)*	RIGID PVC
20	JAMB REINFORCEMENT (970)	STEEL
21	MULLION ANCHOR BRACKET (5950)	6063-T5 ALUM
22	MULLION (5901)	6063-T5 ALUM
23	MULLION COVER (5980)*	RIGID PVC
24	BULB GASKET (AMESBURY)	FOAM
25	J-CHANNEL REINFORCEMENT (975IP)	STEEL
30	#8 FH SMS (1-3/8" MIN. EMBEDMENT)	STEEL

* THE APPROVED WHITE RIGID PVC EXTERIOR EXTRUSIONS FOR WINDOWS ARE TO BE PRODUCED BY EXTRUDERS LICENSEES IN "AAMA CERTIFICATION PROGRAMS FOR RIGID PVC EXTRUSIONS".



G1 GLAZING DETAIL



Documents Prepared By:
 Lyndon F. Schmidt
 P.E. No. 43409
 R.W. BUILDING CONSULTANTS, INC.
 P.O. Box 230, Vairico, FL 33595
 Phone No.: 813.659.9197
 FBPE C.A. No. 9813

PRODUCT: SUNRISE WINDOWS
 PART OR ASSEMBLY: BILL OF MATERIALS & GLAZING DETAILS

NO.	DATE	BY	REVISIONS

DATE: 4/17/18
 SCALE: N.T.S.
 DWG. BY: JK
 CHK. BY: LFS
 DRAWING NO.: FL-26910.4
 SHEET 7 OF 7